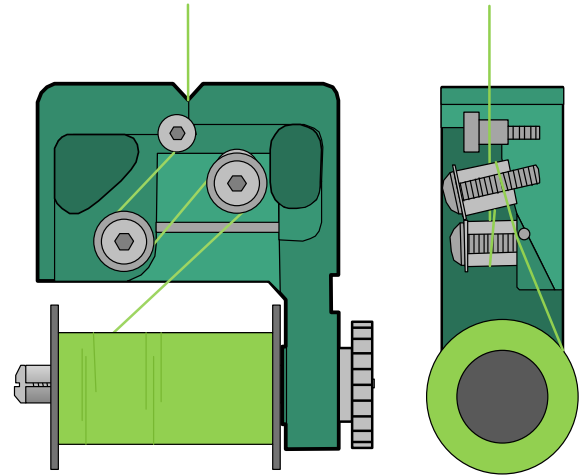


Emerald Instructions:

When threading the bobbin start with the post on the right. This will continue to put pressure on the bobbin holding it securely on the shaft. Also note that the thread comes off the back of the spool this keeps the thread in a consistent location on the tensioning posts.



Tensioning Instructions:

You tighten the tension by turning the knob clockwise this pulls the bolt into the shaft causing it to expand and apply pressure to the inside of the thread spool. To remove tension you turn the knob counter-clockwise it the bolt doesn't naturally pop back out of the shaft you may need to apply pressure to the knob to slide the bolt back out.

